

QtLED 100

cute on size big on light

Hull Material
GRP and WOOD

Boat Size
Up to 40 meter

Lumens
Max 10,000

Kelvin
6,500

Beam Angle
70 degrees

*The QT-100 LED underwater light is available with a single channel driver for white (non dim) or a four channel DMX driver for RGB+W colour change and dimming fixed clours- white and blue. This is the smallest and brightest LED fixture on the market for composite and wooden hulls.

*Never feel trapped by this fixture the LED projector can be easily removed for servicing and upgrades without the hassle of hauling your boat.

*With a maximum 10,000 lumens of cool white light power and its' 90 degree beam angle provides a perfect spread of light. Please enquire for the Blue.

*the QT-100 LED is recommended for GRP and wooden hull yachts of 30 meter+.

*Distance between lights can vary from 1.5 (transom) to 5 meters (port & starboard) apart for the best illumination.

*With complete ABS Design Appraisal on all components, the QT-100 has been installed on some of the largest and most prestigious Superyachts in the world.

*The QT-100 is a completely customisable underwater lighting solution for larger yachts. We offer a bespoke design service tailored for each individual hull.

Maintenance
Inside the hull

Control Option
On / Off Switched
DMX Control

Driver
Integral
Remote-DMX

Growth Resistant Lens
Borosilicate Glass

Power
11-28 VDC
24 VDC for DMX

Hull material
Composite (GRP)
Wood



IPX8
Underwater
RATED



CUTE ON SIZE BIG ON LIGHT
www.underwaterlights.com





QT-100

Thru-Hull - Led serviced From inside

Mounting

Hull Material	GRP / Fiberglass
Boat size	Up to 40meters (65ft)
Spacing	1.5 M (5ft)
Beam Angle	70°
Installation Angles	Flush

Technical

Lumens	10,000
Kelvin	6,500
Typical LED Life Expectancy	40,000 hrs
Min-Max Operating Voltage	24V DC
Current / Amp draw	N/A
Driver Type	Integral and remote for DMX
Driver Output	3.0 amps
Control Options	On / Off Switch and DMX
Bonding	Locking Ring

Physical

Length of fixture	125mm (5")
Diameter of fixture	100 mm (4")
Profile (height) of fixture	5 mm (3/16")
Removal Space Required	125 mm (5")
Total weight	2KG (4.3lbs)
DMX Driver Dimensions (L x W x H)	260 X 160 X 90 mm
Cable Length	3meters (10ft)
Hole Cut-out	72 mm (2 13/16")
Material	Armor Coated AB2 Bronze
Growth Resistant Lens	Borosilicate Glass
Maximum Hull Thickness	80mm (3 1/4")

Color

White



Part Number

QT-100-W

Blue

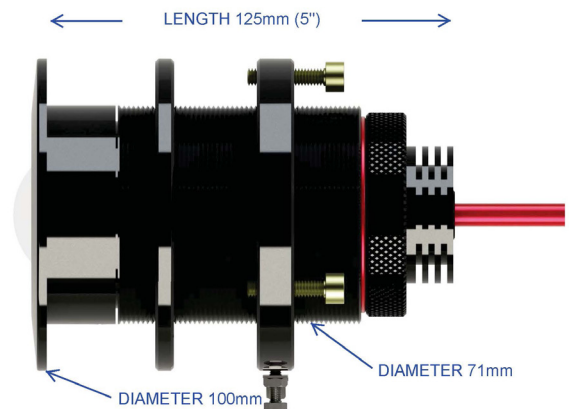


QT-100 -B

RGB+W



QT-100-RGB+W



Your Local Dealer



© 2015 Underwater Lights Limited All Rights Reserved.

Underwater lights limited reserves the right to change specifications without notice.

The Great Dunton Forge, London Road
Dunton Green, Sevenoaks, Kent TN13 2TD UK
T: +44 (0) 1732 455753 • F: +44 (0) 1732 743233
E: uw@underwaterlights.com

www.underwaterlights.com

VAT NO: 556 4425 31

Registered in England No: 2348038



QtLED 100



***Qt LED 100 Installation (Maximum hull thickness 80mm) and Operation instructions.**

The Qt 100 is a “through- hull” submersible marine light and is delivered ready for installation. Maintenance of the LED is carried out from inside the hull. The light is suitable for installation into GRP-fiberglass and wooden hulls. The led is driven by an integral DC driver (11-28vdc). The LED produces 10,000 lumens.

*Qualified/Approved personnel must be used to carry out installation

Before cutting a 72mm hole in the hull, check the hull wall thickness is not greater than 80mm. The location of the holes must be below the waterline. After finishing the hole surface, check the Body (1) can be inserted.

*Note for cored hulls - After cutting, the exposed surfaces of the hole must be finished to form a solid surface through it. Thus protecting the internal core of the hull. The wall thickness of the hole should not to less than 5mm-0.25inch. Apply 3M-4200FC sealant to the ‘Body’ (1) flange. Slide the body into the hole and from inside the hull put the ‘compensating ring’ (3) on and screw the securing ring’ (4) up hand tight. Gently tighten the adjustment screws (7) so the compensating ring is flush to the hull and the sealant has flowed completely around the flange and hull.

*Do NOT overtighten the bolts as this will squeeze the sealant from the surfaces. Allow the sealant to solidify and remove surplus. Finally tighten the bolts to 4Nm. / 3ft. lbs.

*It is not necessary to remove the heat sink (2) when carrying out installation.

*To remove the heat sink (2) unscrew the clamp ring (5) and the vent screw (9) There two M5 tapped holes to use if the heat sink is difficult to remove. Please see pictures below.

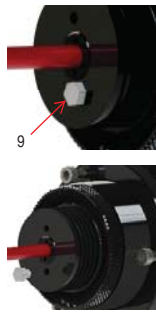
*Before fitting the new LED heat sink (2) unscrew the vent screw (9) and ensure the barrel part of the body (1) and the lens is clean. Use silicone grease to lightly coat the heat sink (2), clamp ring (5) and sealing ‘O’ rings (6). Slide the heat sink (2) into the barrel and tighten the knurled securing clamp ring (5) to secure the heat sink (2) into the body. When the heat sink (2) cannot be rotated the clamp ring (5) has secured all in place. If this is not done it will cause overheating of the LED and the LED could fail. Finally screw the vent screw (9) to complete the water tight integrity

*Caution: do not operate lights unless totally submerged.

After completing the installation procedure it is highly recommended to coat the BODY (1) face with antifouling and bond the lights to the anodes or a cathodic protection system as shown below.

*EARTHING LIGHT FOR CATHODIC PROTECTION-tighten the earth screw (8) on the securing ring (4) so that it bites into the screwed barrel. Check there is continuity to the front face. This prevents galvanic corrosion.

QT 100 Description	Qty.
1; BODY	1
2; LED HEAT SINK	1
3; COMPENSATING RING	1
4; SECURING RING	1
5; CLAMP RING	1
6; 'O' RINGS	2
7; ADJUSTMENT SCREWS	3
8; EARTH SCREW	1
9; VENT SCREW	1



TECHNICAL SPECIFICATION

***Supply Voltage** 11-28vdc. **Maximum current @ 11vdc= 6.4amps**

***LED Driver** - Integral- **YES-**

***BODY Materials-** Armor coated Aluminium Bronze and 5083 ALU. (Pt.No. QT-100 036502-A)

Aluminium 5083 ALU. (Pt.No. QT-100-036602-A)

Titanium and 5083 ALU. (Pt.No. QT-100-036702-A)



PLEASE REGISTER YOUR PRODUCT WARRANTY DIRECT TO
 WWW.REGISTER-UWL.COM

For sales telephone numbers visit www.qtled.com



THE QT-LED RANGE IS DESIGNED AND MANUFACTURED BY UNDERWATER LIGHTS LTD IN THE U.K.

QT LED - 100 INSTALL

CUTE ON SIZE - BIG ON LIGHT
 For sales and information visit WWW.QTLED.COM

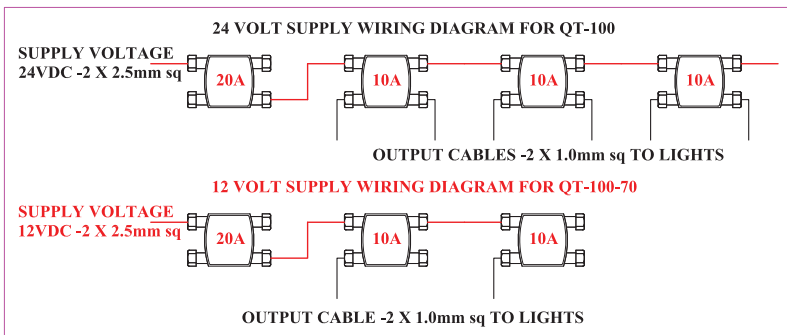




QT-100 SPECIFICATION & ELECTRICAL CONNECTION

- * The QT 100 is generic underwater light body for various LED light sources (see table below).
- * The QT 100 is supplied fully assembled with 2 meters of cable ready for connection into the IP 68 fused enclosure
- * The fused enclosure connection terminals have a higher rating than 20 amps but we strongly advise a maximum supply current to the enclosure of **20 amps**.
- * When the fused enclosure is used for distribution to the underwater lights the 10 amp fuse must be used to protect the out-going supply cable to the lights.
- * The LED power consumption is 70 watts. The integral LED driver has a supply voltage range from 11- 28vdc.
- *The connection diagram and fused enclosure shown below shows a typical installation. Note there will be fewer lights that can be connected to a 12 volt supply due to the higher draw current.
- * The table below shows the maximum recommended light connections for 11 - 24 vdc 20 amp supply and the distribution 10 amp supply enclosure.

MODEL NUMBER	LUMEN OUTPUT	COLOUR	11 VDC SUPPLY POWER & DRAW CURRENT	24 VDC SUPPLY POWER & DRAW CURRENT	MAX No OF LIGHTS FOR 20A FUSE 11VDC - 24VDC	No OF LIGHTS FOR 10A FUSE ENCLOSURE 11VDC - 24VDC
QT-100-70	10,000	6,500K	70 WATTS - 6.4 AMPS	70 WATTS - 2.9 AMPS	THREE - SEVEN	ONE - TWO



PLEASE REGISTER YOUR PRODUCT WARRANTY DIRECT TO
WWW.REGISTER-UWL.COM

For sales telephone numbers visit www.qtled.com

THE QT-LED RANGE IS DESIGNED AND MANUFACTURED BY UNDERWATER LIGHTS LTD IN THE U.K.

QT LED - CONNECTION FOR QT-100-ELCTRICAL

