

QtLED 80-80

cute on size big on light

Hull Material
GRP and WOOD

Boat Size
Up to 30 meter

Lumens
N/A

Kelvin
N/A

Beam Angle
68 degrees

*The QT-80 LED underwater light features the smallest and brightest LED fixture on the market for composite and wooden hulls.

*Never feel trapped by this fixture the LED projector can be easily removed for servicing and upgrades without the hassle of hauling your boat.

*With a maximum 80 watts of power for the Royal Blue and its' 68 degree beam angle provides a perfect spread of light.

*The QT-80 LED is recommended for GRP and wooden hull yachts up to 30 meter.

*Distance between lights can vary from 1.0 (transom) to 3 meters (port & starboard) apart for the best illumination.

*With complete Lloyd's Register Approval and ABS Design Appraisal on all components, the QT-80 has been installed on some of the most prestigious yachts.

*The QT-80 is a completely customisable underwater lighting solution for sail and motor yachts. We offer a bespoke design service tailored for each individual hull.

Maintenance
Inside the hull

Control Option
On / Off Switched

Driver
Blue Integral

Growth Resistant Lens
Borosilicate Glass

Power
11-28 VDC

Hull material
Composite (GRP)
Wood



IPX8
Underwater
RATED



cute on size BIG on light
www.underwaterlights.com





Underwater lights limited™
 Manufacturer of the Original underwater lights™ Brand
 Marine Lighting Products Since 1991

QtLED 80-80



*Qt LED 80 Installation (Maximum hull thickness 62mm) and Operation instructions.

The Qt 80 is a “through- hull” submersible marine light and is delivered ready for installation. Maintenance of the LED is carried out from inside the hull. The light is suitable for installation into GRP-fiberglass and wooden hulls. The 80 watt (Royal Blue) led is driven by an integral DC driver (11-28vdc).

*Qualified/Approved personnel must be used to carry out installation

Before cutting a 61mm hole in the hull, check the hull wall thickness is not greater than 62mm. The location of the holes must be below the waterline. After finishing the hole surface, check the Body (1) can be inserted.

*Note for cored hulls - After cutting, the exposed surfaces of the hole must be finished to form a solid surface through it. Thus protecting the internal core of the hull. The wall thickness of the hole should not be less than 5mm-0.25inch. Apply 3M-4200FC sealant to the ‘Body’ (1) flange. Slide the body into the hole and from inside the hull put the ‘compensating ring’ (3) on and screw the securing ring’ (4) up hand tight. Gently tighten the adjustment screws (7) so the compensating ring is flush to the hull and the sealant has flowed completely around the flange and hull.

*Do NOT overtighten the bolts as this will squeeze the sealant from the surfaces. Allow the sealant to solidify and remove surplus. Finally tighten the bolts to 4Nm. / 3ft. lbs.

*It is not necessary to remove the heat sink (2) when carrying out installation.

*To remove the heat sink (2) unscrew the clamp ring (5). There two M5 tapped holes to use if the heat sink is difficult to remove.

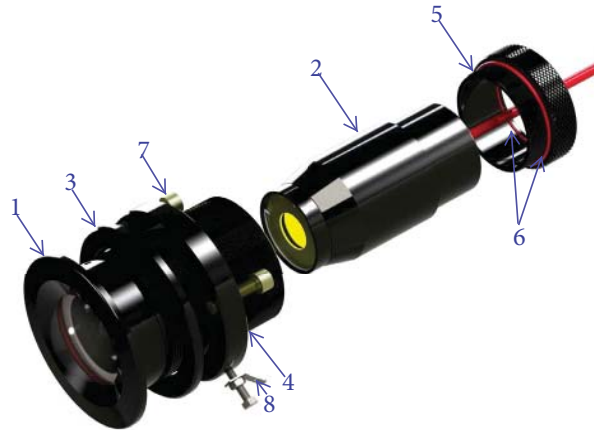
*Before fitting the new LED heat sink (2) ensure the barrel part of the body (1) and the lens is clean. Use silicone grease to lightly coat the heat sink (2), clamp ring (5) and sealing ‘O’ rings (6). Slide the heat sink (2) into the barrel and tighten the knurled securing clamp ring (5) to secure the heat sink (2) into the body. When the heat sink (2) cannot be rotated the clamp ring (5) has secured all in place. If this is not done it will cause overheating of the LED and the LED could fail.

*Caution: do not operate lights unless totally submerged.

After completing the installation procedure it is highly recommended to coat the BODY (1) face with antifouling and bond the lights to the anodes or a cathodic protection system as shown below.

*EARTHING LIGHT FOR CATHODIC PROTECTION-tighten the earth screw (8) on the securing ring (4) so that it bites into the screwed barrel. Check there is continuity to the front face. This prevents galvanic corrosion.

Description Qt 80	Qty
1:Body	1
2:Led Heat Sink	1
3:Compensating Ring	1
4:Securing Ring	1
5:Clamp ring	1
6:'O' Rings	2
7:Adjustment screws	3
8:Earth screw	1



TECHNICAL SPECIFICATION

***Supply Voltage** 11-28vdc Maximum current at 11vdc = 6 amps

***LED Driver** - Integral- YES

***LED** Cool white (5,500 lm) and Royal Blue

***BODY Material** - Armor coated Aluminium Bronze and black anodised 5083 ALU.

***LED lamp life** - 20,000 hours @ 60° C

EARTH SCREW
ITEM 8



PLEASE REGISTER YOUR PRODUCT WARRANTY DIRECT TO
 WWW.REGISTER-UWL.COM

For sales telephone numbers visit www.qtled.com

THE QT-LED RANGE IS DESIGNED AND MANUFACTURED BY UNDERWATER LIGHTS LTD IN THE U.K.

QT LED - 80-80



CUTE ON SIZE - BIG ON LIGHT
 For sales and information visit WWW.QTLED.COM

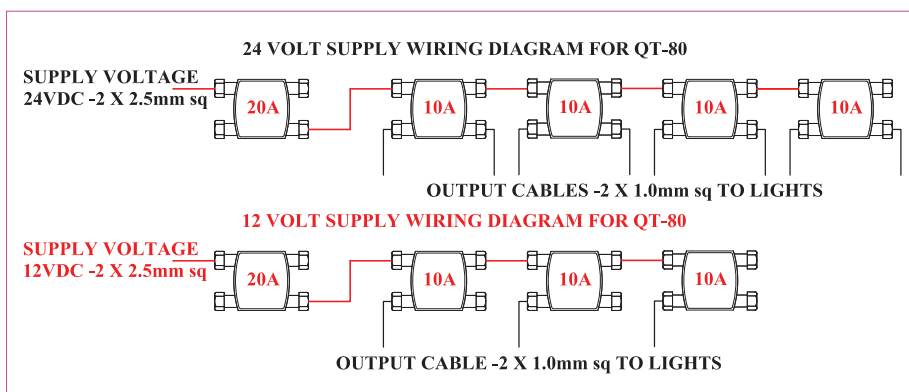




QT-80 SPECIFICATION & ELECTRICAL CONNECTION

- *The QT 80 is generic underwater light body for various LED light sources (see table below).
- *The QT 80 is supplied fully assembled with 2 meters of cable ready for connection into the IP 68 fused enclosure
- *The fused enclosure connection terminals have a higher rating than 20 amps but we strongly advise a maximum supply current to the enclosure of 20 amps.
- *When the fused enclosure is used for distribution to the underwater lights the 10 amp fuse must be used to protect the out-going supply cable to the lights.
- *The LED power consumption ranges from 20 to 80 watts. The integral LED driver has a supply voltage range from 11- 28vdc.
- *The connection diagram and fused enclosure shown below shows a typical installation. Note there will be fewer lights that can be connected to a 12 volt supply due to the higher draw current.
- *The table below shows the maximum recommended light connections for 11 - 24 vdc 20 amp supply and the distribution 10 amp supply enclosure.

MODEL NUMBER	LUMEN OUTPUT	COLOUR	11 VDC SUPPLY POWER & DRAW CURRENT	24 VDC SUPPLY POWER & DRAW CURRENT	MAX No OF LIGHTS FOR 20A FUSE 11VDC - 24VDC	No OF LIGHTS FOR 10A FUSE ENCLOSURE 11VDC - 24VDC
QT-80-80 B	XXX	BLUE	80 WATTS - 7.3 AMPS	80 WATTS - 3.3 AMPS	TWO - SIX	ONE - TWO
QT-80-40	6,200	6,500K	40 WATTS - 3.6 AMPS	40 WATTS - 1.7 AMPS	FIVE - TEN	TWO - TWO
QT-80-24	2,800	6,500K	24 WATTS - 2.2 AMPS	24 WATTS - 1 AMPS	EIGHT - TWENTY	TWO - TWO
QT-80-24 B	XXX	BLUE	24 WATTS - 2.2 AMPS	24 WATTS - 1 AMPS	EIGHT - TWENTY	TWO - TWO



PLEASE REGISTER YOUR PRODUCT WARRANTY DIRECT TO
WWW.REGISTER-UWL.COM

For sales telephone numbers visit www.qtled.com

THE QT-LED RANGE IS DESIGNED AND MANUFACTURED BY UNDERWATER LIGHTS LTD IN THE U.K.

QT LED - CONNECTION FOR QT-80 24, QT-80-40 & QT-80-80B

